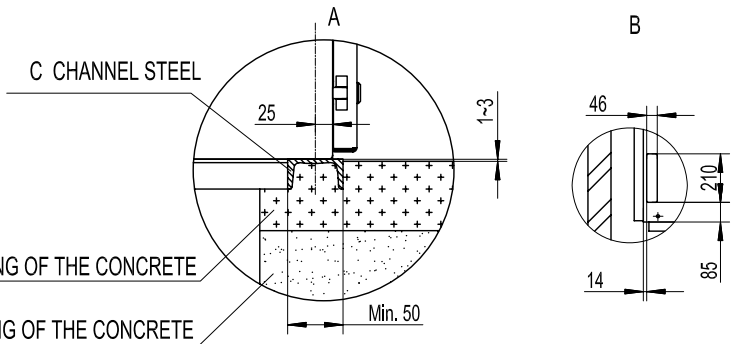
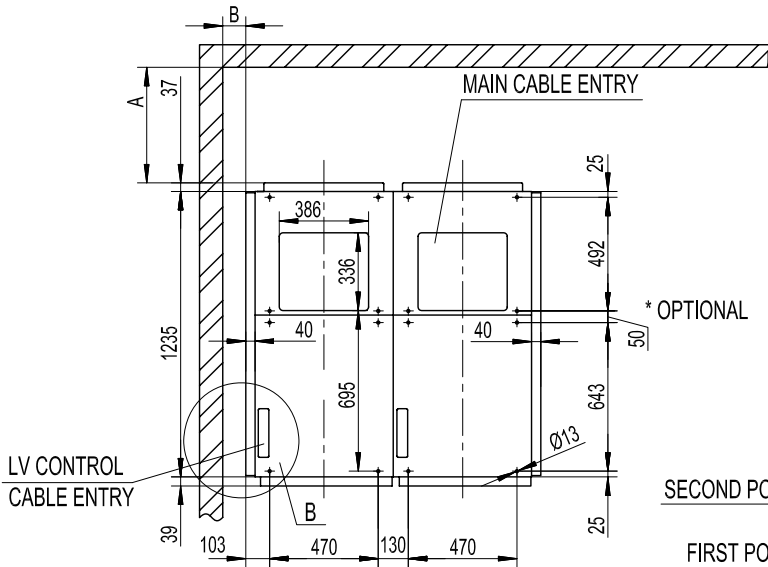
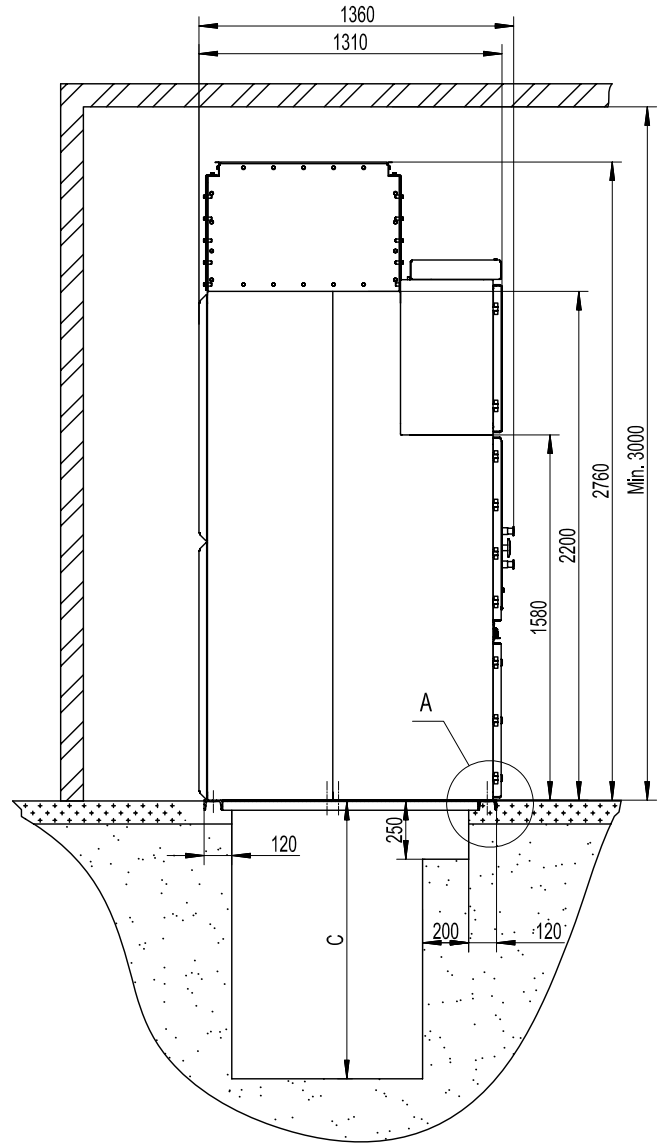
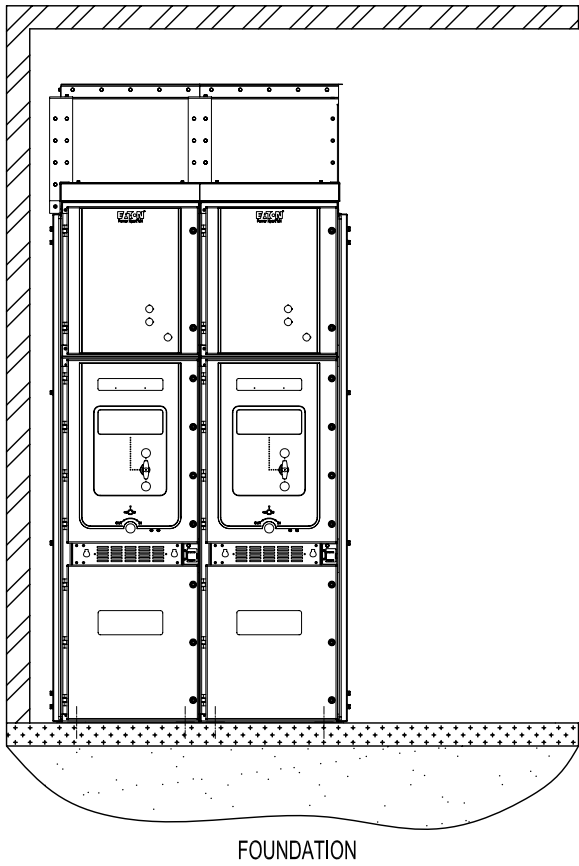


FRONT VIEW

SIDE VIEW



Dimension	Front and Rear Access	Front Access
Dim A	Min. 800	Min. 500 recommended
Dim B	Min. 100	Min. 100
Dim C	Depends on cable bend radius	
* OPTIONAL	Centre mounting is optional	

**BASIC FLOOR PLAN FOR BOTTOM CABLE ENTRY PANEL RATING
17.5kV 630/1250A 25/31.5kA**