

CABLE 17.5KV 630A 25KA => 315KA
 CABLE 17.5KV 1250A 25KA => 315KA
 SECT. 17.5KV 630A 25KA => 315KA
 SECT. 17.5KV 1250A 25KA => 315KA
 RISER 17.5KV 630A 25KA => 50KA
 RISER 17.5KV 1250A 25KA => 50KA

CABLE 17.5KV 2000A 25KA => 26.3KA
 SECT. 17.5KV 2000A 25KA => 26.3KA
 RISER 17.5KV 2000A 25KA => 26.3KA
 MEAS. 17.5KV 25KA => 50KA

CABLE 17.5KV 630A 40KA => 50KA
 CABLE 17.5KV 1250A 40KA => 50KA
 SECT. 17.5KV 630A 40KA => 50KA
 SECT. 17.5KV 1250A 40KA => 50KA
 RISER 17.5KV 630A 40KA => 50KA
 RISER 17.5KV 1250A 40KA => 50KA

CABLE 17.5KV 3150A 25KA => 50KA
 SECT. 17.5KV 3150A 25KA => 40KA
 RISER 17.5KV 3150A 25KA => 50KA

CABLE 24KV 800A 20/25KA
 CABLE 24KV 1250A 20/25KA
 SECT. 24KV 800A 20/25KA
 SECT. 24KV 1250A 20/25KA
 RISER 24KV 800A 20/25KA
 RISER 24KV 1250A 20/25KA

CABLE 24KV 2000A 20/25KA
 CABLE 24KV 2500A 20/25KA
 SECT. 24KV 2000A 20/25KA
 SECT. 24KV 2500A 20/25KA
 RISER 24KV 2000A 20/25KA
 RISER 24KV 2500A 20/25KA

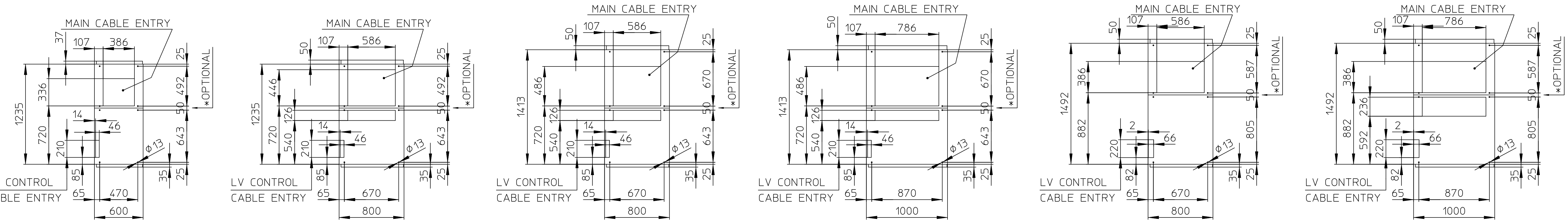
CABLE 17.5KV 3150A 25KA => 50KA
 SECT. 17.5KV 3150A 25KA => 40KA
 RISER 17.5KV 3150A 25KA => 50KA

CABLE 24KV 800A 20/25KA
 CABLE 24KV 1250A 20/25KA
 SECT. 24KV 800A 20/25KA
 SECT. 24KV 1250A 20/25KA
 RISER 24KV 800A 20/25KA
 RISER 24KV 1250A 20/25KA

CABLE 17.5KV 630A 40KA => 50KA
 CABLE 17.5KV 1250A 40KA => 50KA
 SECT. 17.5KV 630A 40KA => 50KA
 SECT. 17.5KV 1250A 40KA => 50KA
 RISER 17.5KV 630A 40KA => 50KA
 RISER 17.5KV 1250A 40KA => 50KA

CABLE 24KV 2000A 20/25KA
 CABLE 24KV 2500A 20/25KA
 SECT. 24KV 2000A 20/25KA
 SECT. 24KV 2500A 20/25KA
 RISER 24KV 2000A 20/25KA
 RISER 24KV 2500A 20/25KA

min. UNP 50x25
 SECOND POURING OF THE CONCRETE
 FIRST POURING OF THE CONCRETE
 min 50



CABLE 17.5KV 630A 25KA => 315KA
 CABLE 17.5KV 1250A 25KA => 315KA

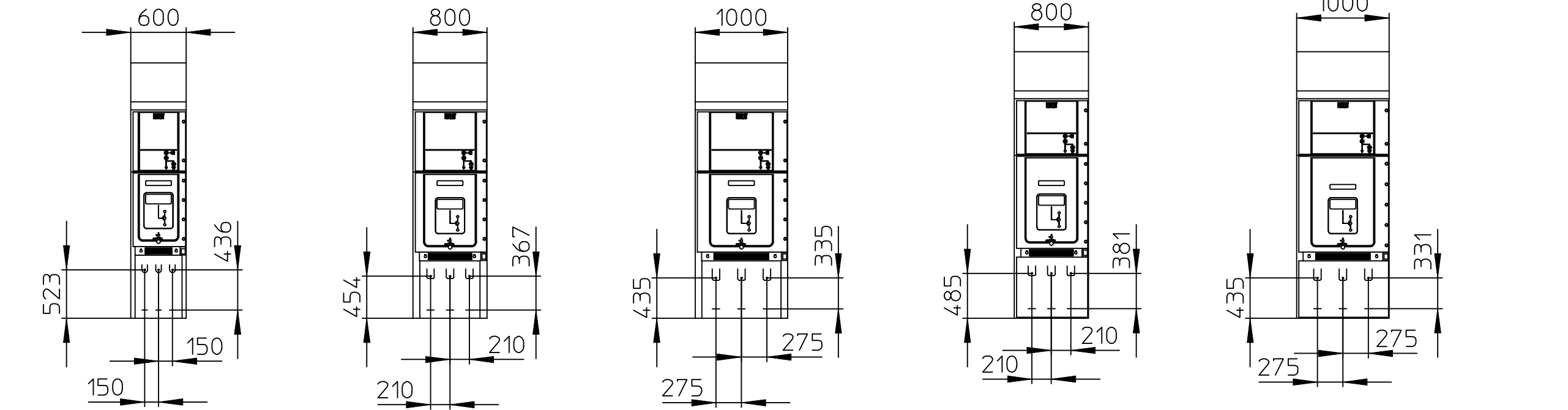
CABLE 17.5KV 2000A 25KA => 26.3KA

CABLE 17.5KV 630A 40KA => 50KA
 CABLE 17.5KV 1250A 40KA => 50KA
 CABLE 17.5KV 2000A 315KA => 50KA

CABLE 17.5KV 3150A 25KA => 50KA

CABLE 24KV 800A 20/25KA
 CABLE 24KV 1250A 20/25KA

CABLE 24KV 2000A 20/25KA
 CABLE 24KV 2500A 20/25KA



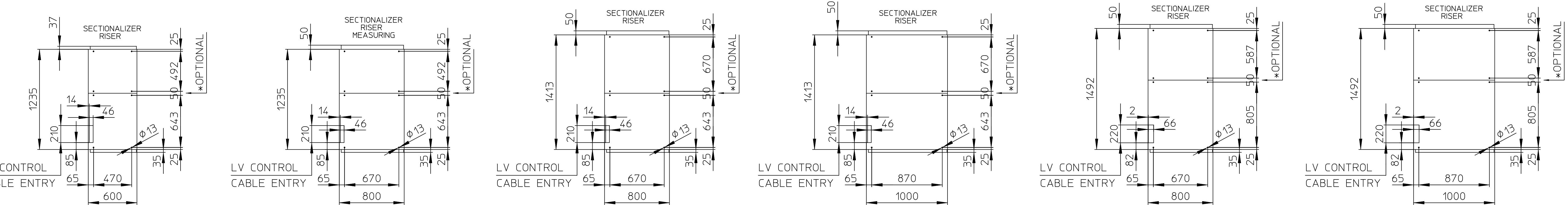
17.5KV 630A 25KA
 17.5KV 1250A 315KA
 WEIGHT: incl. CB
 630A: 860Kg
 1250A: 880Kg

17.5KV 2000A 40KA
 17.5KV 2000A 50KA
 WEIGHT: incl. CB
 26KA: 1230kg
 40KA: 1650Kg
 50KA: 1650Kg

17.5KV 3150A 40KA
 17.5KV 3150A 50KA
 WEIGHT: incl. CB
 1650kg

24KV 800A 20/25KA
 24KV 1250A 20/25KA
 WEIGHT: incl. CB
 800A: 1460Kg
 1250A: 1480Kg

24KV 2000A 20/25KA
 24KV 2500A 20/25KA
 WEIGHT: incl. CB
 1820kg



SECT. 17.5KV 630A 25KA => 315KA
 SECT. 17.5KV 1250A 25KA => 315KA
 RISER 17.5KV 630A 25KA => 50KA
 RISER 17.5KV 1250A 25KA => 50KA

SECT. 17.5KV 2000A 25KA => 26.3KA
 RISER 17.5KV 2000A 25KA => 26.3KA
 MEAS. 17.5KV 25KA => 50KA

SECT. 17.5KV 630A 40KA => 50KA
 SECT. 17.5KV 1250A 40KA => 50KA
 SECT. 17.5KV 2000A 315KA => 50KA
 RISER 17.5KV 2000A 315KA => 50KA

SECT. 17.5KV 3150A 25KA => 40KA
 RISER 17.5KV 3150A 25KA => 50KA

SECT. 24KV 800A 20/25KA
 SECT. 24KV 1250A 20/25KA
 RISER 24KV 800A 20/25KA
 RISER 24KV 1250A 20/25KA

SECT. 24KV 2000A 20/25KA
 SECT. 24KV 2500A 20/25KA
 RISER 24KV 2000A 20/25KA
 RISER 24KV 2500A 20/25KA

Dimension	Recommended	In case of space issue
A	min.750	min.500
B	min.100	
C	Depends on cable bend radius	
*OPTIONAL Centre mounting is optional		

material spec. no. _____ Material specification is binding

* tolerance according to material specification

drawn	first release date	scale
approved		
drawing name		
FLOORPLAN UX		
12KV-17KV-24KV		
drawn	revnr	
replaces		

rev: ECO no. release date: _____ Eaton Industries (Netherlands) B.V.